

GFM-C Series

GFM-200C 2V 200Ah

GFM-C series VRLA battery uses latest AGM technology, high purity raw materials and many patented technologies that ensure its long floating and cycle life, it is applicable to less frequency of power failure, and shallow discharge of depth site. It is mainly used for indoor telecommunication base station.



Benefits

- Long life according to EUROBAT Classification
- High discharge performance
- 99%+ gas recombination efficiency
- Maximum charge efficiency
- Low self-discharge rate
- Horizontal installization

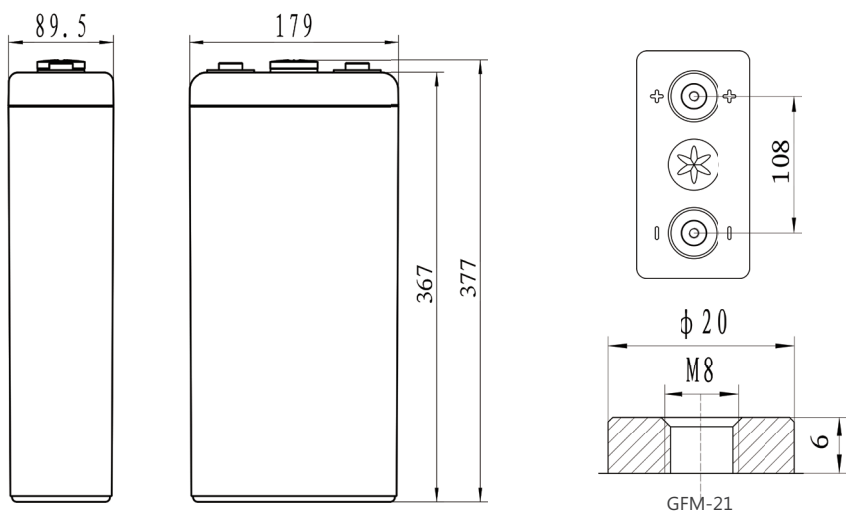
Applications

- Telecommunications
- Power system
- UPS
- Emergency power

Standards

- IEC 60896-21/22
- JIS C8704-1/2
- EUROBAT guide

Drawing



Specifications

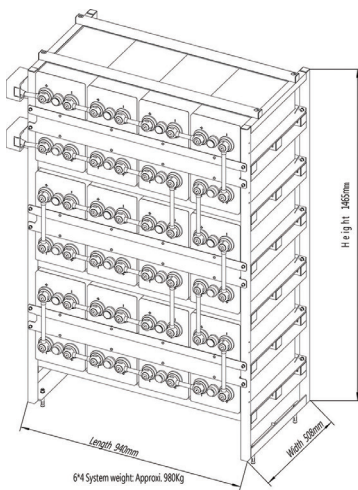
Battery Model	GFM-200C			
Design Life (years, 25°C)	15			
Capacity (Ah, 25°C)	10HR (20A, 1.80V)	5HR (34A, 1.80V)	3HR (50A, 1.80V)	1HR (110A, 1.75V)
	200	170	150	110
Dimensions (mm)	Length	Width	Height	Total Height
	89.5	179	367	377
Approx. Weight (kg)	13.4			
Reference Internal Resistance (mΩ)	0.75 (fully charged @ 25°C)			
Maximum Discharge Current (A/3 Sec.)	700			
Self-Discharge (25°C)	≤ 1.5% per month			
Charge Voltage (V/cell, 25°C)	Cycle use		Float use	
	2.35 (-3.5mV/°C/cell), max charge current: 30A		2.25 (-3.5mV/°C/cell)	
Short Circuit Current (A)	3100			

Discharge Data

Constant Current Discharge Data (25°C, A)															
End Voltage (V/cell)	min							h							
	5	10	15	20	30	40	50	1	1.5	2	3	5	8	10	24
1.60	304	280	262	236	192	176	150	136	106	78.4	58.0	39.6	27.2	22.0	9.68
1.65	284	262	244	220	178	160	140	128	98.0	75.2	56.0	38.0	26.4	21.6	9.52
1.70	258	236	216	200	164	146	132	120	91.2	72.0	54.0	36.4	25.6	21.1	9.36
1.75	234	208	188	172	150	134	120	110	84.0	68.0	52.0	35.2	24.8	20.6	9.08
1.80	200	184	168	156	136	122	110	100	78.4	64.0	50.0	34.0	24.0	20.0	8.84

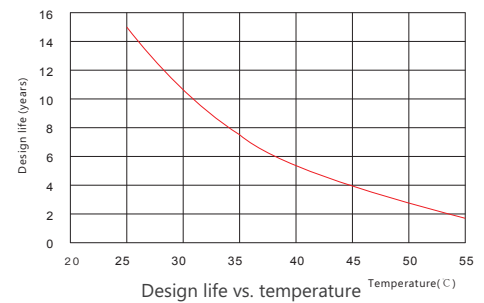
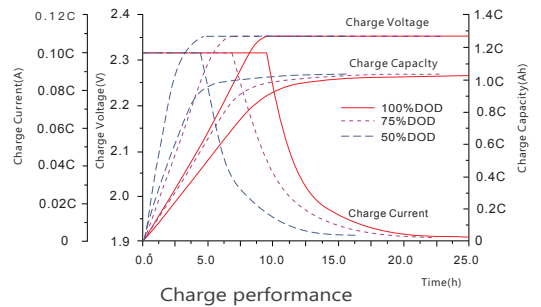
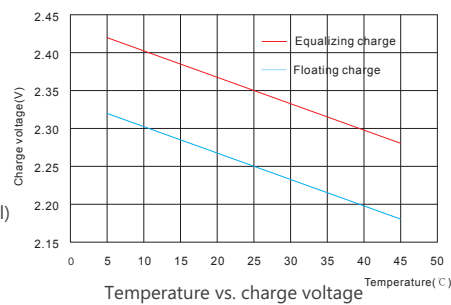
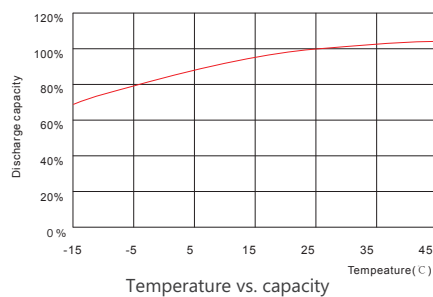
Constant Power Discharge Data (25°C, W/cell)															
End Voltage (V/cell)	min							h							
	5	10	15	20	30	40	50	1	1.5	2	3	5	8	10	24
1.60	521	485	458	414	339	312	267	243	192	142	106	73.3	51.0	41.5	18.6
1.65	497	464	435	394	321	290	254	233	179	139	104	71.5	50.2	41.3	18.4
1.70	461	426	392	365	301	269	245	223	171	135	102	69.6	49.4	40.9	18.3
1.75	427	383	348	320	281	252	226	208	160	130	100	68.2	48.3	40.3	17.9
1.80	370	344	316	294	258	232	210	192	151	124	97.1	66.4	47.1	39.3	17.5

Rack Layout



48V Standard Rack (Anti-seismic rack is optional)
 Rack material: powder-coated steel
 Height*width: 6*4/4*6 (optional)
 Ref. GFM-200C Rack (approx. weight: 365kg)

Performance Curve



Sacred Sun Power Sources Co., Ltd.

No.1 Shengyang Road Qufu City, PRC
 sales@sacredsunsun.com

Sacred Sun Asia Pacific

No. 15, Yishun Industrial Street 1,
 #01-17, WIN5, Singapore 768091
 sales.asia@sacredsunsun.com

Sacred Sun Europe SPRL

Schoenstraat 96-9140 Temse, Belgium
 sales.eu@sacredsunsun.com

Sacred Sun MEA FZE

S10122A1019 Jebel Ali, Dubai,
 United Arab Emirates
 sales.mea@sacredsunsun.com